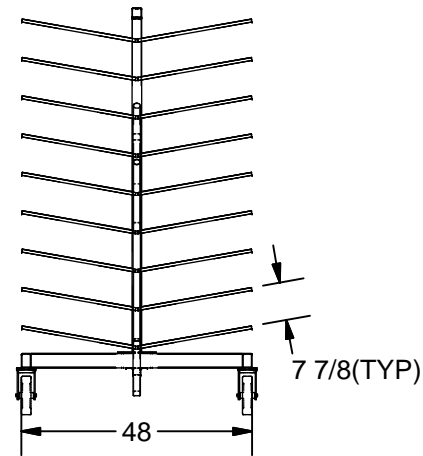
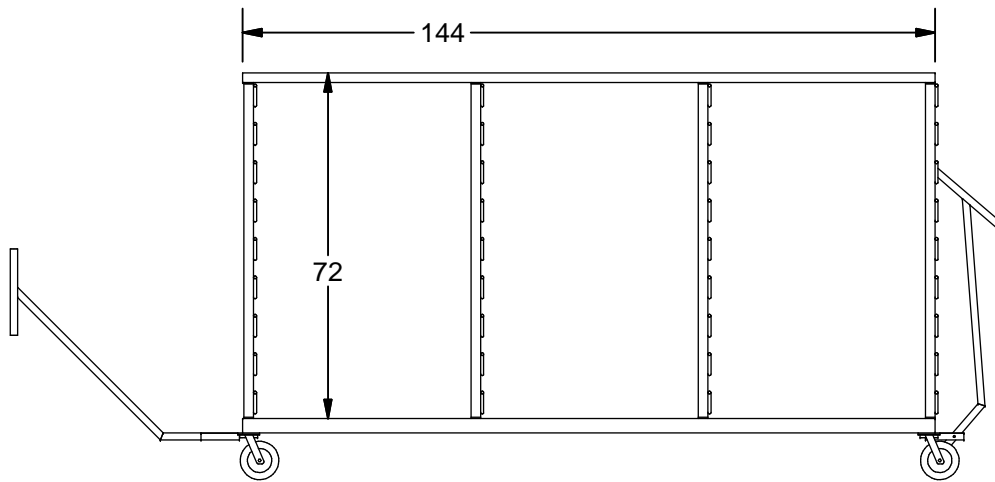
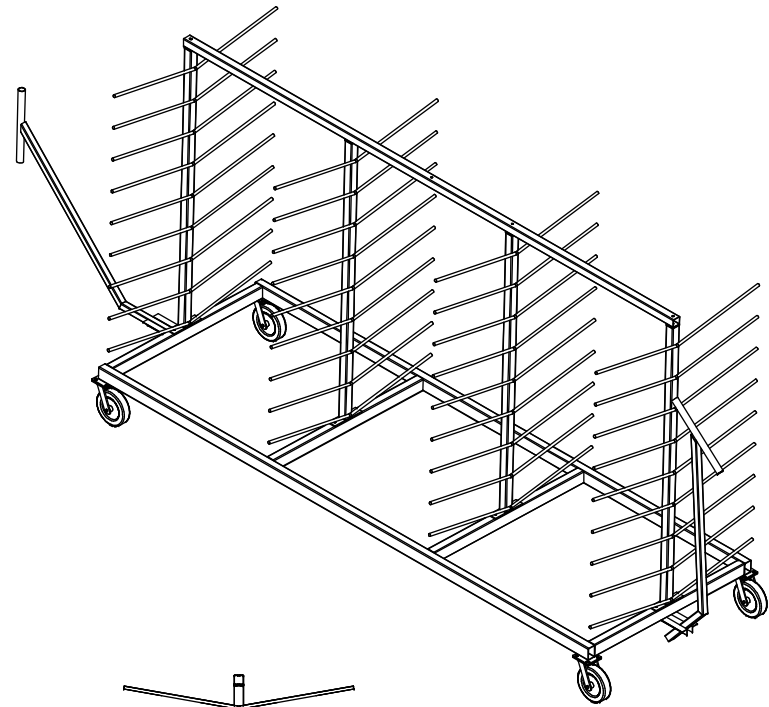


# Modle K-27B

- \* 6" x 2" Wheel, 4 Swivel
- \* Paint: Kear Green
- \* Bolt Structure



|  |        |                    |             |   |  |
|--|--------|--------------------|-------------|---|--|
| Title: Over View                         |        | Drawn By: Tony Yan |             | This drawing is property of Kear Fabrication Inc. and may not be copied or modified without the express consent of Kear Fabrication Inc. All dimensions are in inches and are accurate to 1/16". Angles are accurate to 1/2°. Report all changes and/or errors to the Kear Fabrication Inc. Engineering Department. | <b>Kear Fabrication Inc.</b><br>27 Vanley Crescent<br>North York, ON, Canada M3J 2B7<br>Tel: (416) 398-8666<br>Fax: (416) 398-9666 |
| File Name: Primary                       | Job #: | Date: 13/01/2015   |             |   |  |
| Customer:                                |        | Checked By:        |             |   |  |
| Description: K-27B Mobile Extrusion Rack |        | Date:              | Scale: 1/24 |   |  |
|  |        | Sheet #: 1 of 8    |             |   |  |