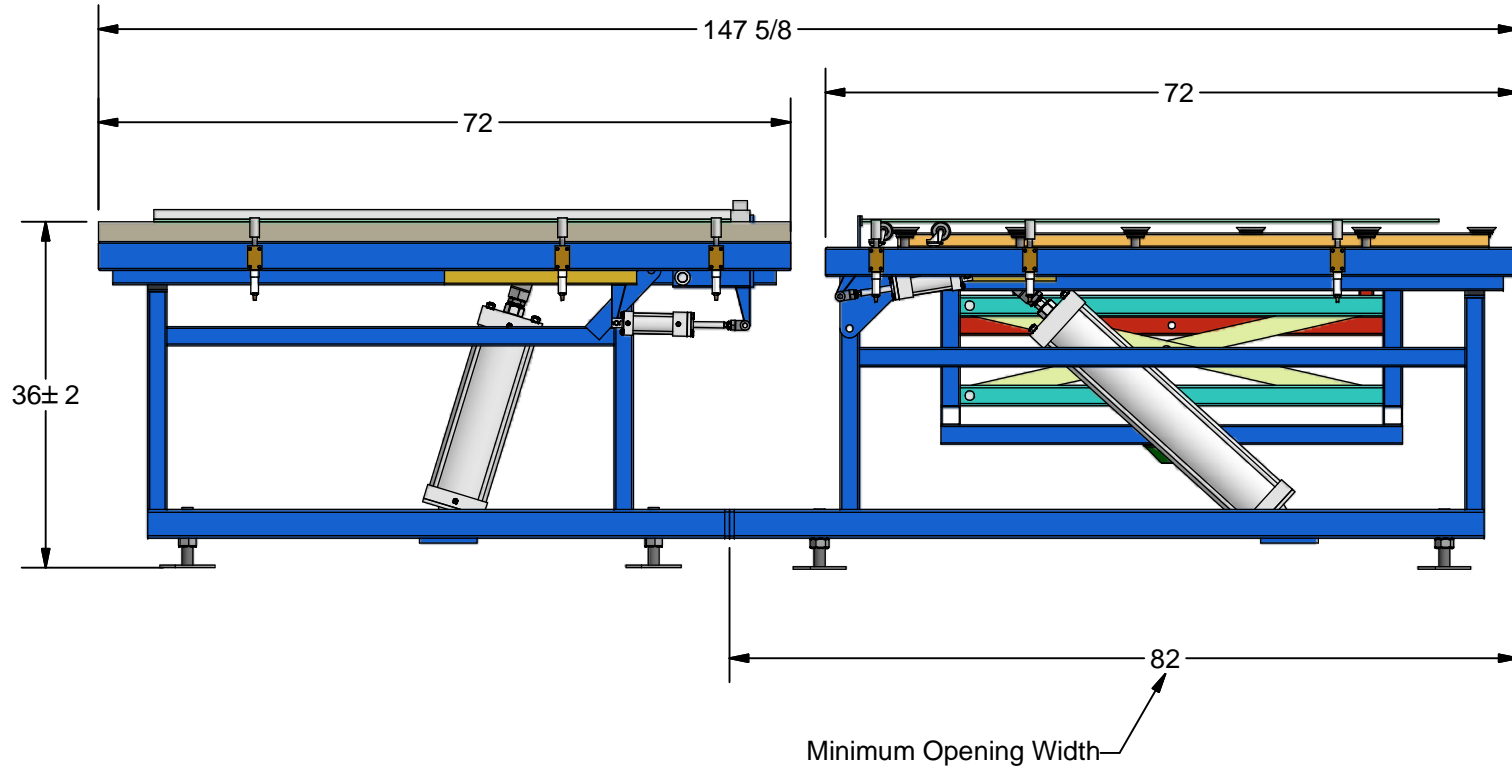


### K- 41CA Semi-Automatic Butterfly Table



Title:		Drawn By: Tony Yan		This drawing is property of Kear Fabrication Inc. and may not be copied or modified without the express consent of Kear Fabrication Inc. All dimensions are in inches and are accurate to 1/16". Angles are accurate to 1/2°. Report all changes and/or errors to the Kear Fabrication Inc. Engineering Department.	<b>Kear Fabrication Inc.</b> 11 Creditstone Rd. Unit #7 Concord, ON, Canada L4K 2P1 Tel: (905) 760-0841 Fax: (905) 760-0842
Part Number: Primary	Rev. 1	Date: 13/04/2009			
Customer: PGT		Checked By:			
Description: Butterfly Table 96" x 72" Capacity		Date:	Scale:		
		Sheet #: 2 of 4			