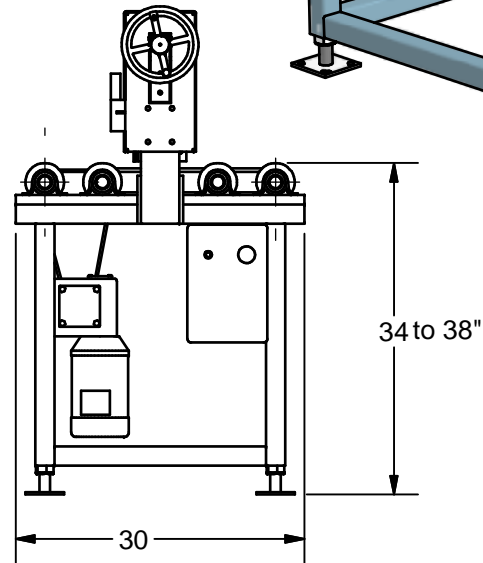
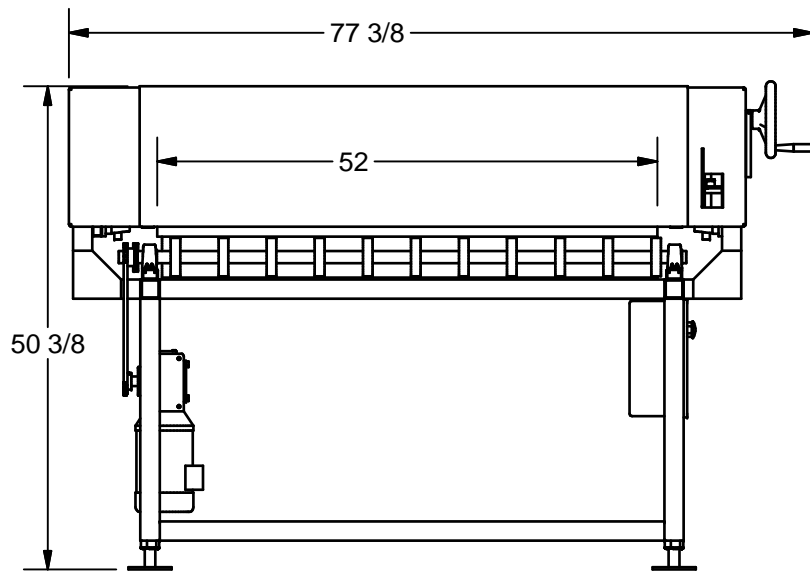
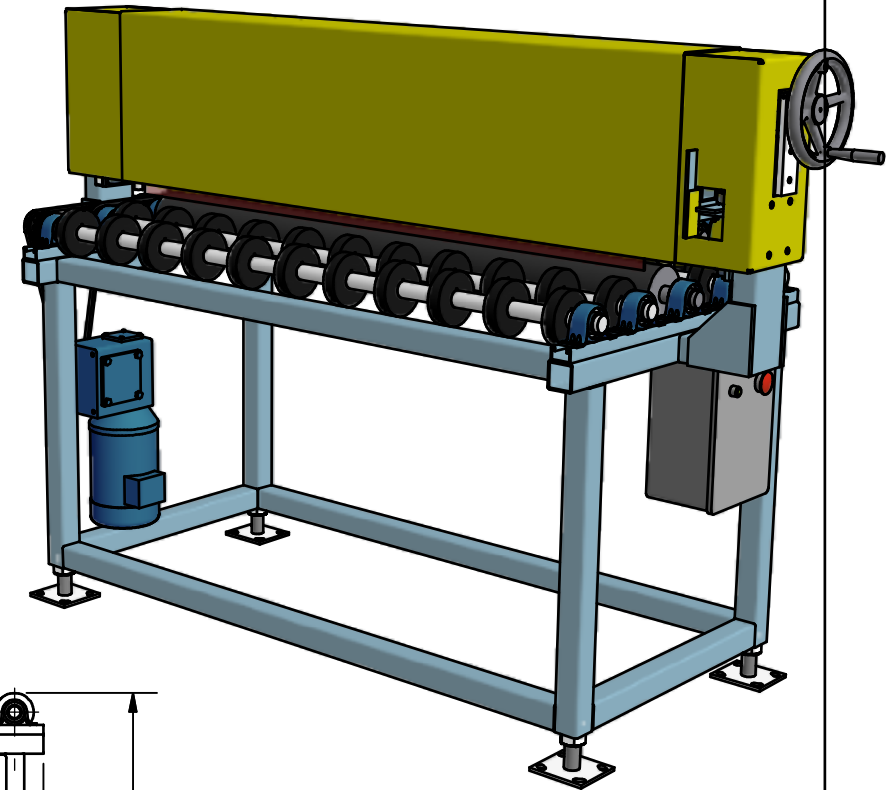


K-46 Cool Roller Press

- 48" Wide Capacity
- Working high 34"-38"



Title: Overview		Drawn By: Tony Yan	
File Name: Primary	Rev. 1	Date: 19/12/2013	
Customer:		Checked By:	
Description: Roller Press 48" Capacity		Date:	
Scale: 1	Sheet #: 1 of 1		

This drawing is property of Kear Fabrication Inc. and may not be copied or modified without the express consent of Kear Fabrication Inc. All dimensions are in inches and are accurate to 1/16". Angles are accurate to 1/2°. Report all changes and/or errors to the Kear Fabrication Inc. Engineering Department.

Kear Fabrication Inc.
 27 Vanley Crescent
 North York, ON, Canada M3J 2B7
 Tel: (416) 398-8666
 Fax: (416) 398-9666