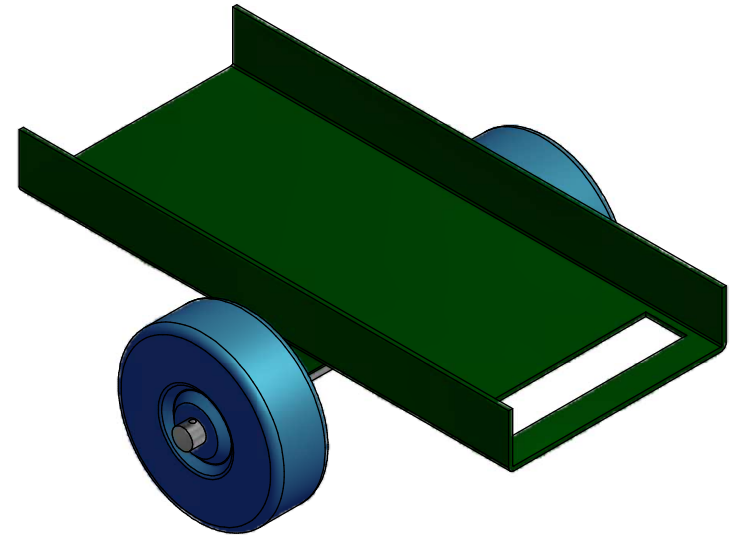
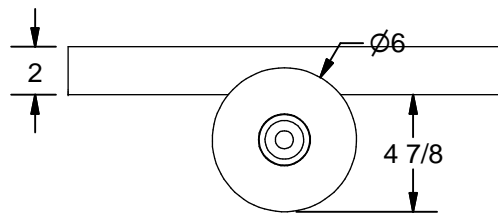
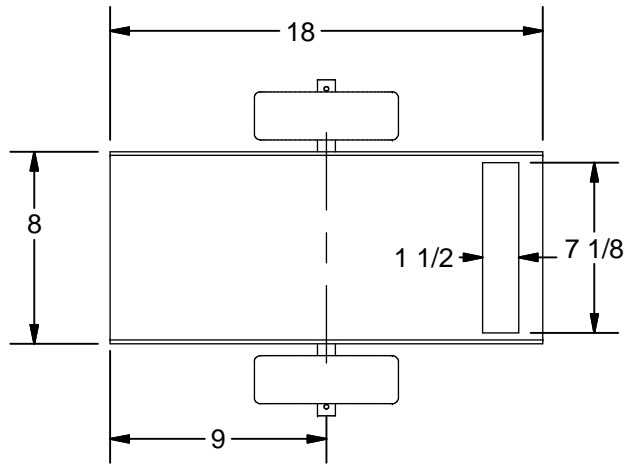


K-54FH

- * 6" x 2" Wheel
- * Paint: Kears Blue
- * Quantity: 1Unit



K E A R FABRICATION INC.

27 Vanley Crescent, North York, ON, M3J 2B7 - Tel: (416) 398-8666 - Fax: (416) 398-9666

This drawing is property of Kears Fabrication Inc. and may not be copied or modified without the express consent of Kears Fabrication Inc. All dimensions are in inches and are accurate to 1/16". Angles are accurate to 1/2°. Report all changes and/or errors to the Kears Fabrication Inc. Engineering Department.