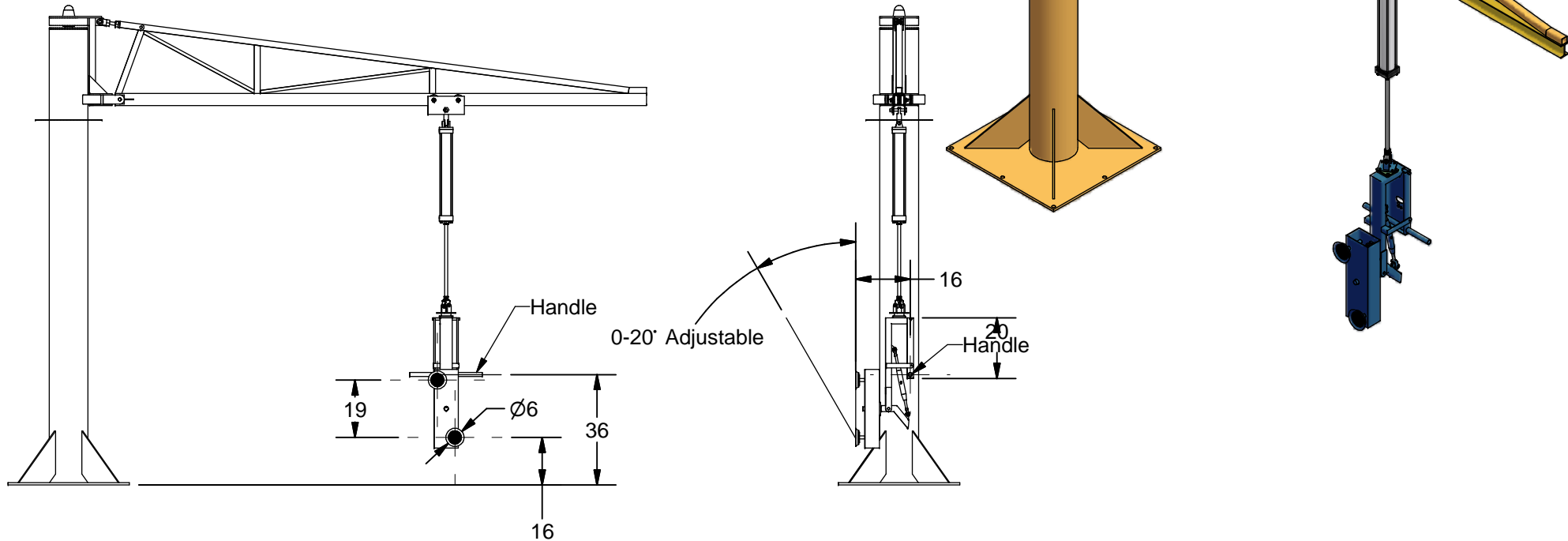


## K-60SS Swing & Slide Manipulator

- \* Pneumatic Lifting 24"
- \* Handle Position from 36" To 60" Hight
- \* Lowest Cup Position 16" Center To Floor
- \* Highest Cup Positon 59" Center To Floor
- \* Two 6" Cups, 19" Apart C.C
- \* Separated Vaccum System For Each Cup.
- \* Cups Tilting Adjustable 0° to 20°
- \* Cups Pneumatic Rotating 90° and Holding At Two Position



**K E A R FABRICATION INC.**  
 27 Vanley Crescent, North York, ON, M3J 2B7 - Tel: (416) 398-8666 - Fax: (416) 398-9666

This drawing is property of Kear Fabrication Inc. and may not be copied or modified without the express consent of Kear Fabrication Inc. All dimensions are in inches and are accurate to 1/16". Angles are accurate to 1/2°. Report all changes and/or errors to the Kear Fabrication Inc. Engineering Department.