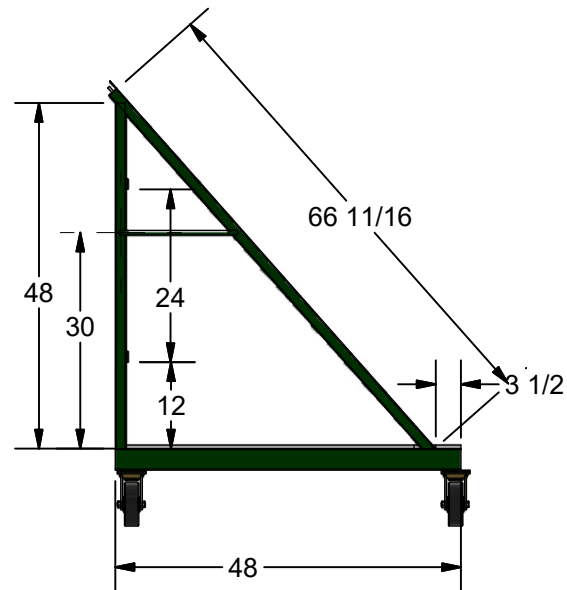
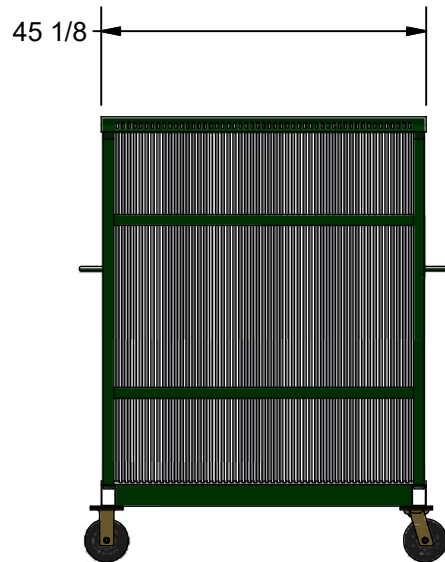


K-01F Harp Rack

- * Fully slotted HDPE base
- * 50 Slots At 3/8"
- * Steel divider rods covered with PVC tubes
- * 6" x 2" Casters, 2 rigid and 2 swivel
- * Paint: Kear Green



K E A R FABRICATION INC.
27 Vanley Cres., North York, ON, M3J 2B7 - Tel: (416) 398-8666 - Fax: (416) 398-9666

This drawing is property of Kear Fabrication Inc. and may not be copied or modified without the express consent of Kear Fabrication Inc. All dimensions are in inches and are accurate to 1/16". Angles are accurate to 1/2°. Report all changes and/or errors to the Kear Fabrication Inc. Engineering Department.