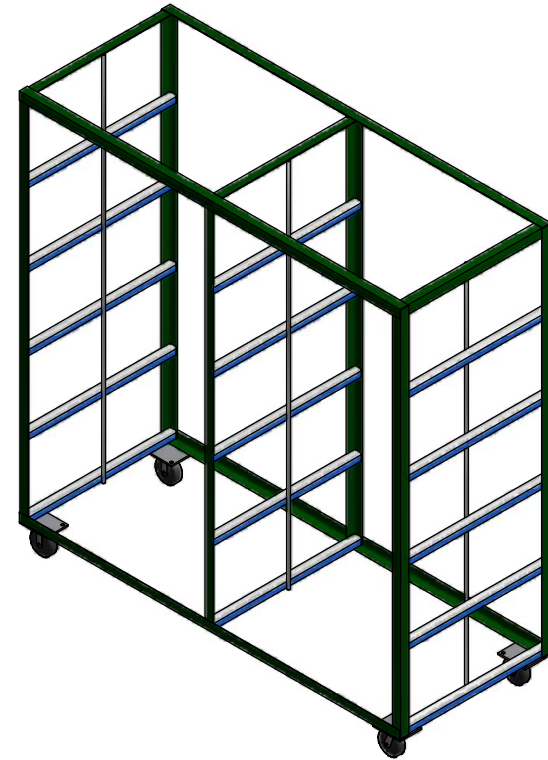
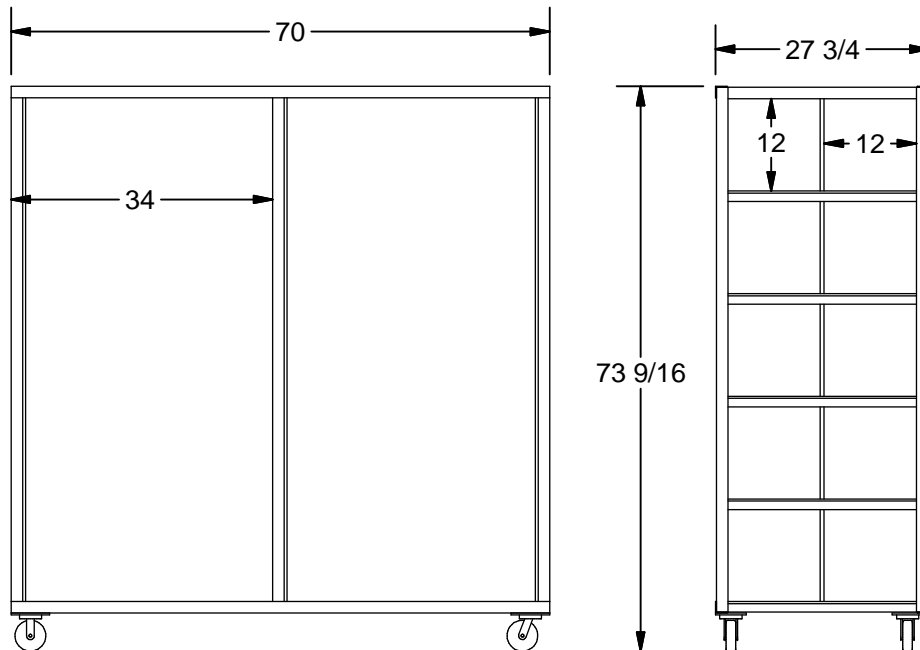


# K-24P Horizontal Cart

\* Paint Kear Blue



**K E A R** FABRICATION INC.  
27 Vanley Crescent, Noth York, ON, M3J 2B7 - Tel: (416) 398- 8666 - Fax: (416) 398-9666

This drawing is property of Kear Fabrication Inc. for Purpose of customer approval only. Any dimensions, materials, parts and paint not shown in the drawing are pending to standards and design of Kear Fabrication Inc.