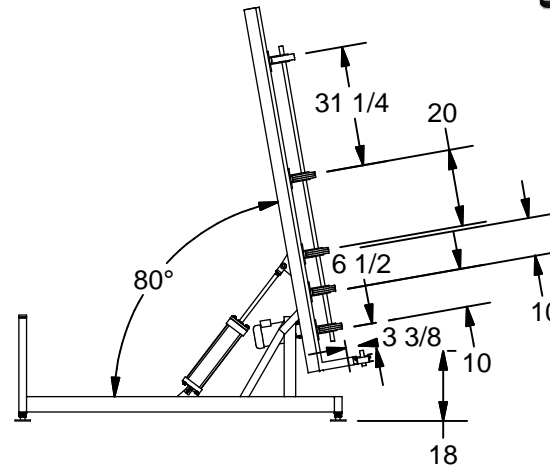
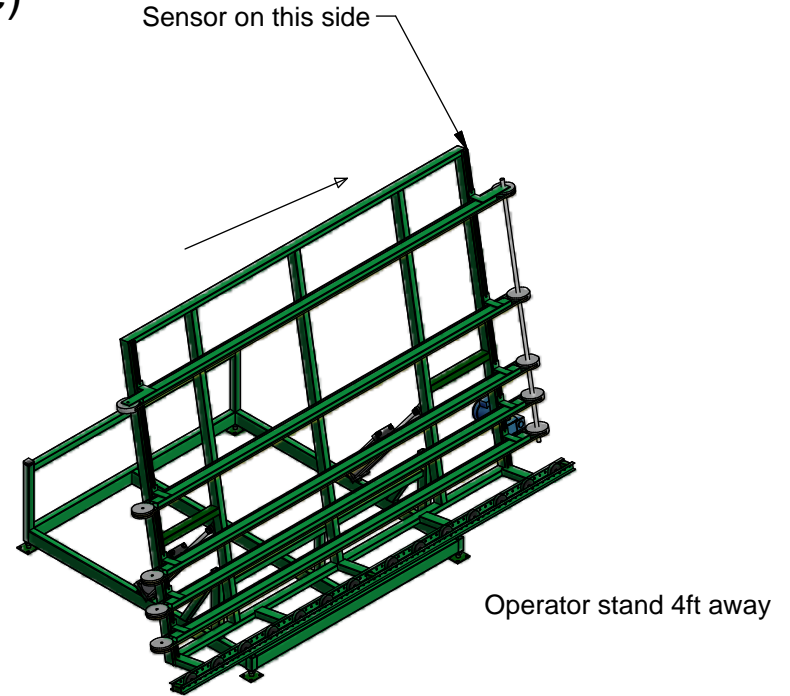
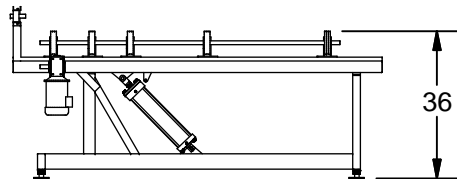
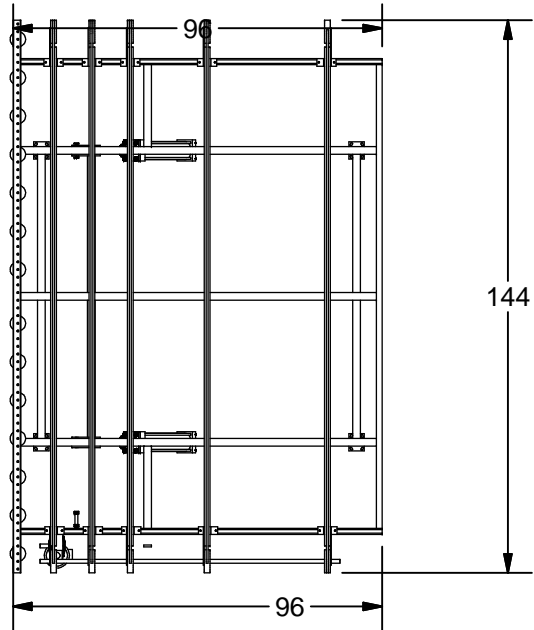


# Model K-28ARBT Belt Transfer Table (B-Line)

- \* Pneumatic Tilting 80°
- \* Power 5 Adjustable belt transfer table
- \* Fx Donut Roller Ledge
- \* Power: 230V 3Ph
- \* Paint Kears Blue



- 1/ Home is up position
- 2/ Operator push button start the cycle
- 3/ Table down then belt power on under still the the belt move complete table length
- 4/ Sensor clear and complete belt cycle the table tilt up complete cycle

**K E A R** FABRICATION INC.  
 27 Vanley Crescent, North York, ON, M3J 2B7 - Tel: (416) 398-8666 - Fax: (416) 398-9666

This drawing is property of Kear Fabrication Inc. and may not be copied or modified without the express consent of Kear Fabrication Inc. All dimensions are in inches and are accurate to 1/16". Angles are accurate to 1/2°. Report all changes and/or errors to the Kear Fabrication Inc. Engineering Department.