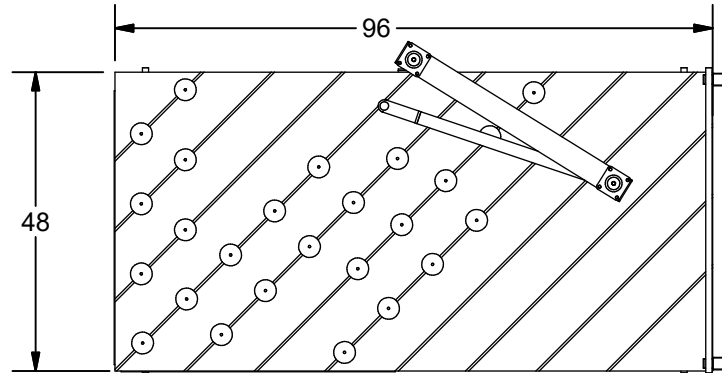
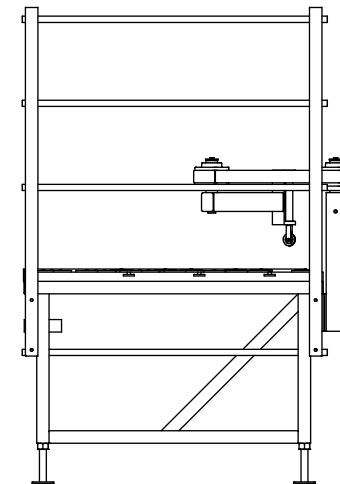
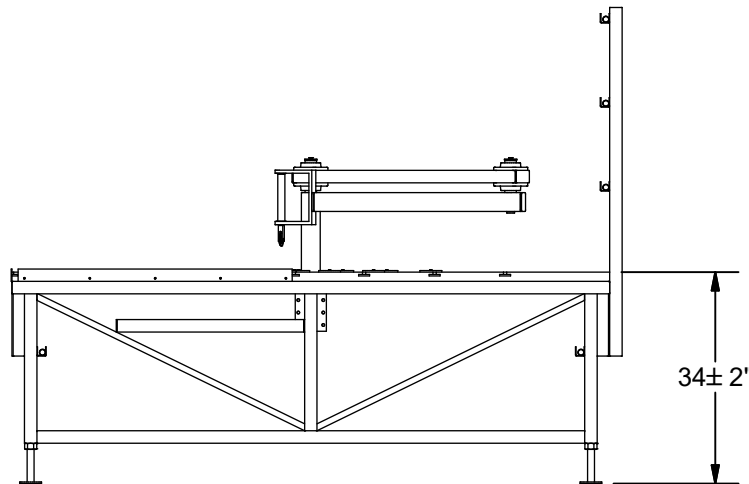
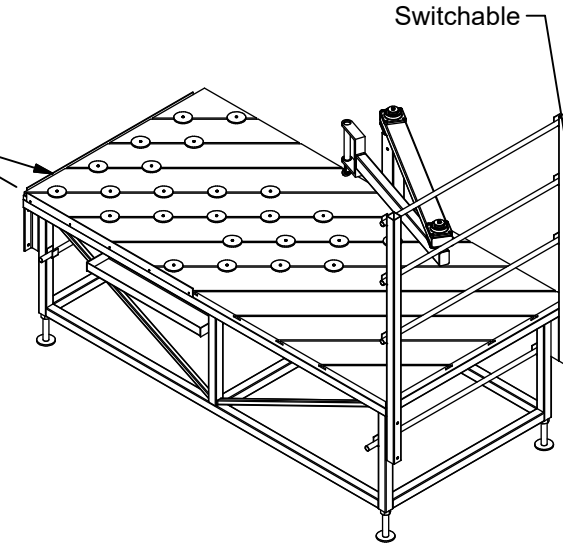


# K-38 4'x8' Screen Table

- Dimensions: 48" wide x 96" long
- Pneumatic Press Down Roller (adjustable pressure)
- 25 Locking discs
- 3 Film Spools
- 2 Spline Spool rods
- 40 PSI (Shop Air)
- Paint: Kear Green
- Quantity: 1 Unit



Ledges Screw On Sides of Wood Top



**K E A R** FABRICATION INC.

27 Vanley Crescent, North York, ON, M3J 2B7 - Tel: (416) 398-8666 - Fax: (416) 398-9666

This drawing is property of Kear Fabrication Inc. for Purpose of customer approval only. Any dimensions, materials, parts and paint not shown in the drawing are pending to standards and design of Kear Fabrication Inc.