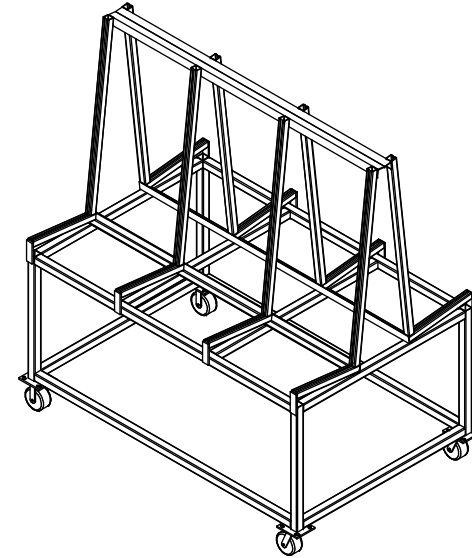
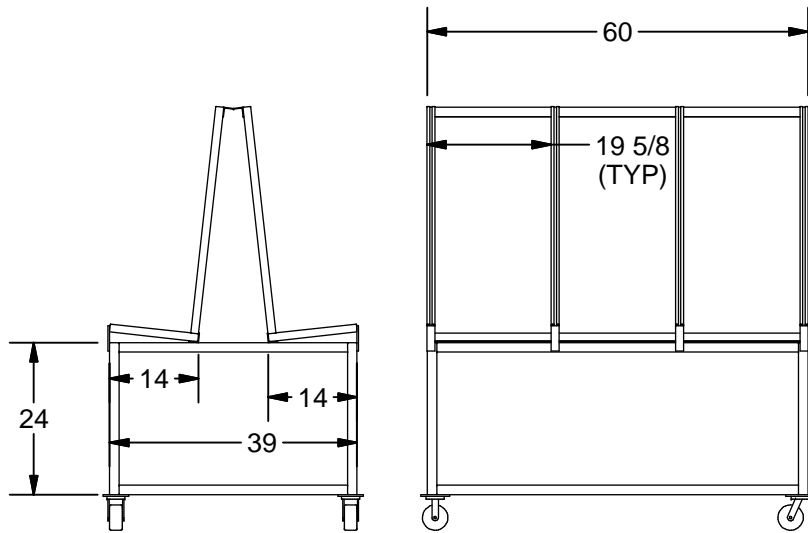


K-71A "A" Type Dolly



Title:		Drawn By: Tony		This drawing is property of Kear Fabrication Inc. and may not be copied or modified without the express consent of Kear Fabrication Inc. All dimensions are in inches and are accurate to 1/16". Angles are accurate to 1/2°. Report all changes and/or errors to the Kear Fabrication Inc. Engineering Department.	Kear Fabrication Inc. 27 Vanley Crescent North York, ON, Canada M3J 2B7 Tel: (416) 398-8666 Fax: (416) 398-9666
File Name: A Rack	Job #:	Date:			
Customer:		Checked By:			
Description:		Date:			
Scale:	Sheet #: 1 of 1				